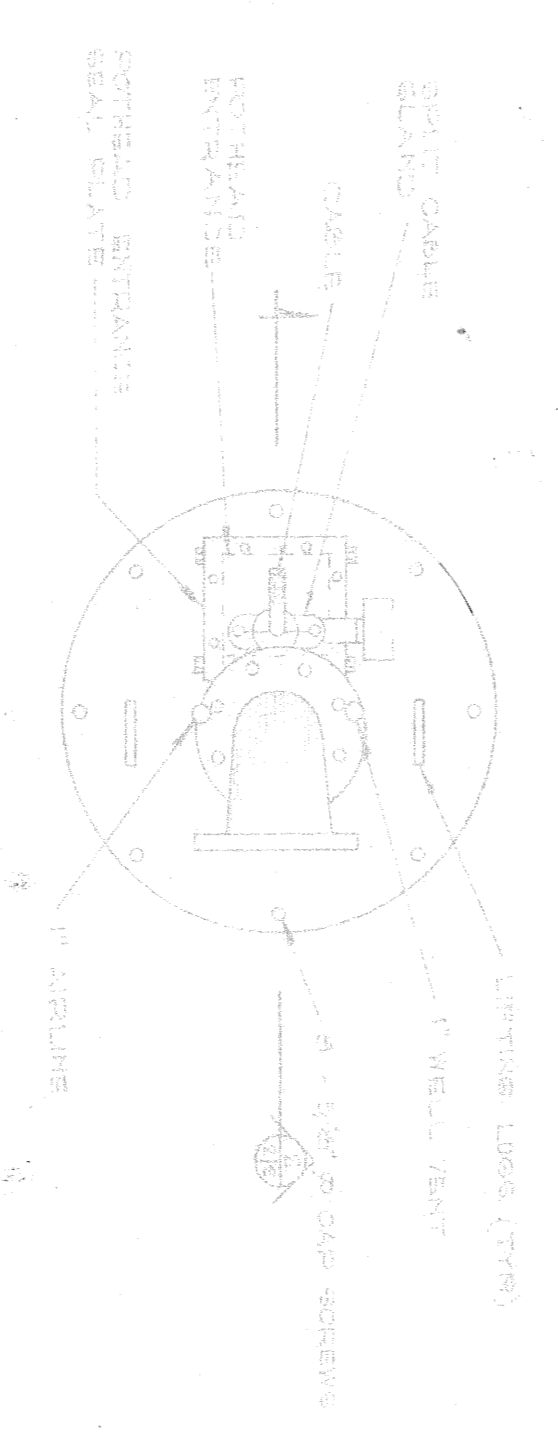
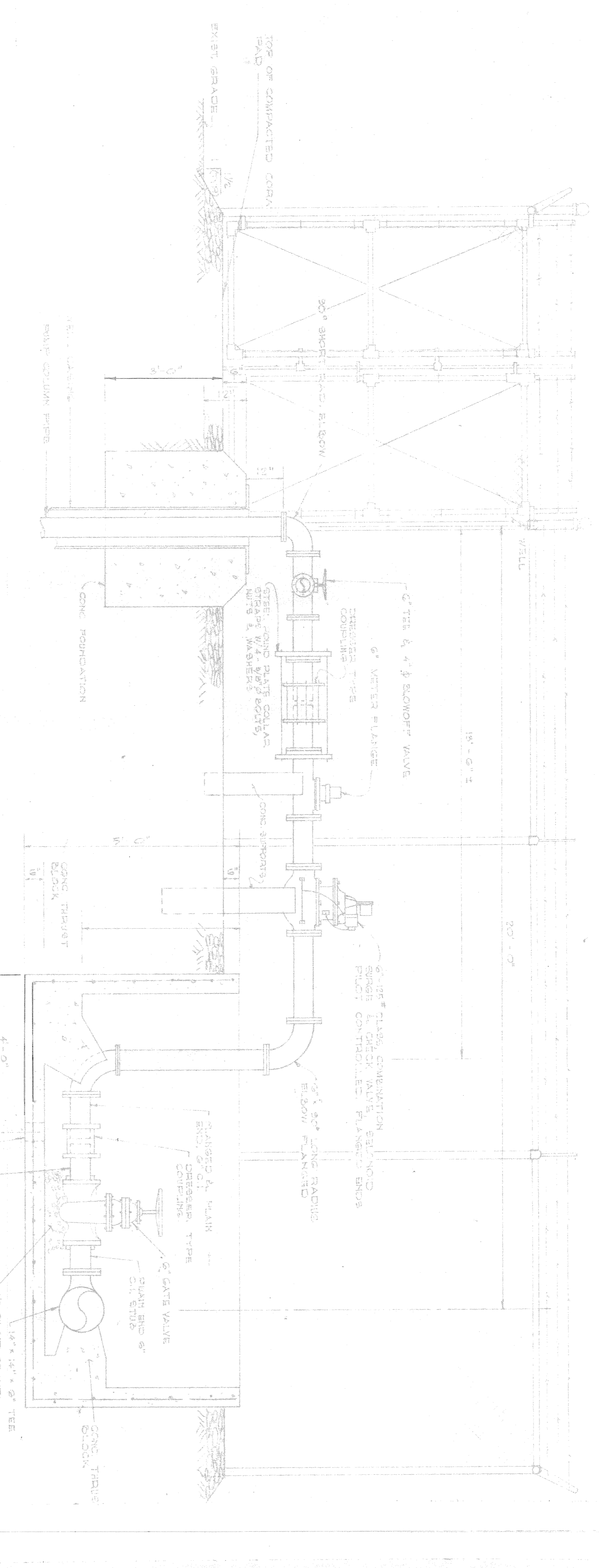


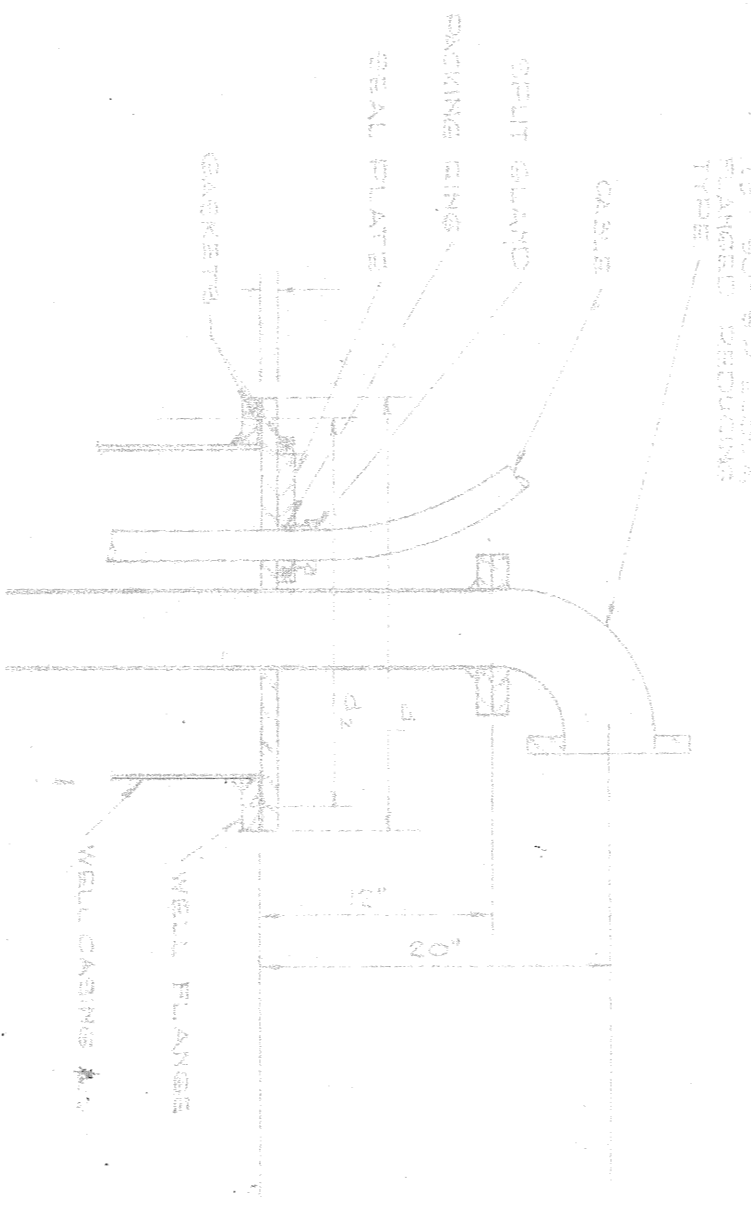
TOP PLAN
- FOR INFORMATION ONLY -



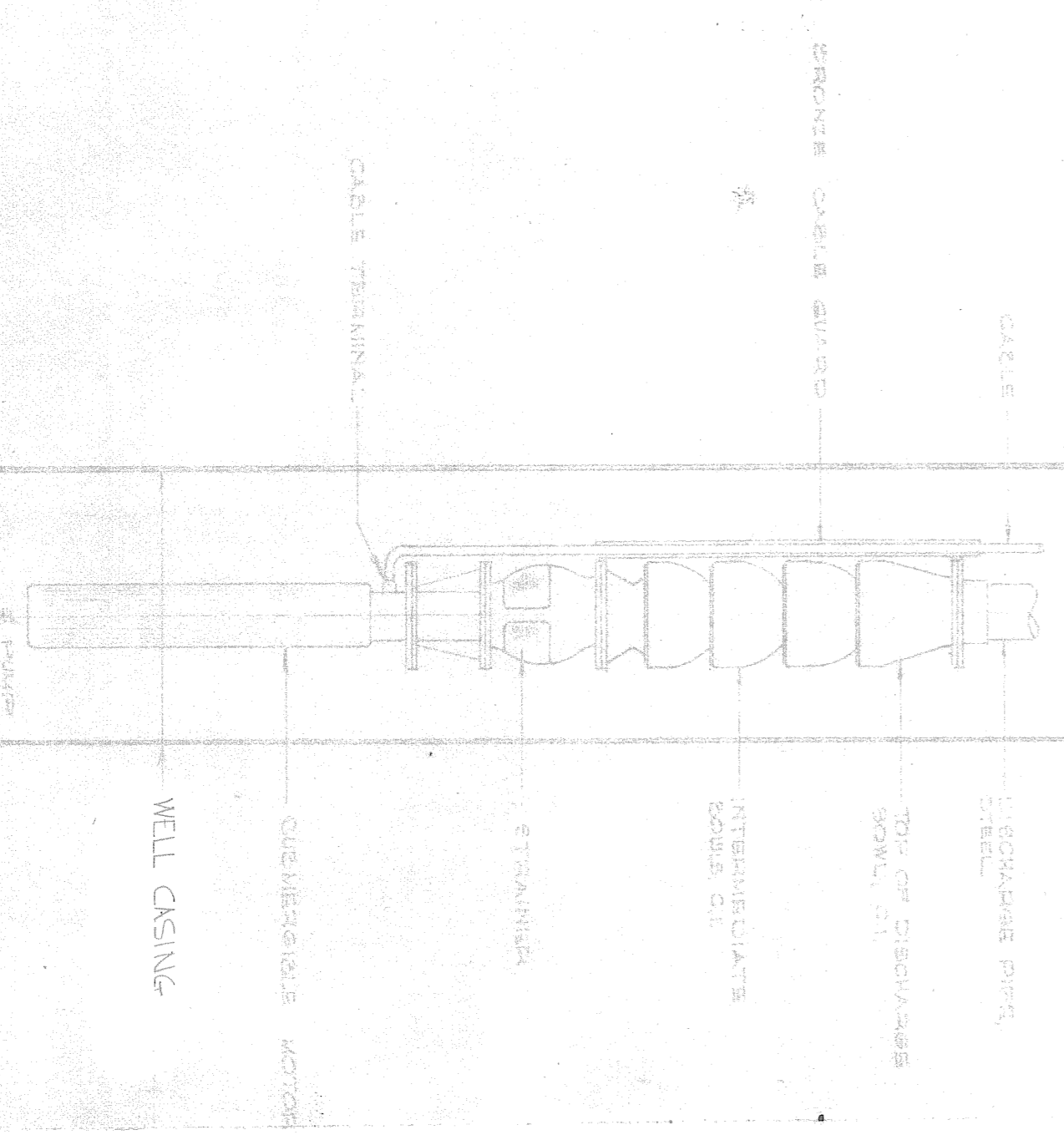
PLAN OF WATER CURVE
- FOR INFORMATION ONLY -



SECTION
- FOR INFORMATION ONLY -



SECTION
WELL SEAL SURFACE PLATE DET
- FOR INFORMATION ONLY -

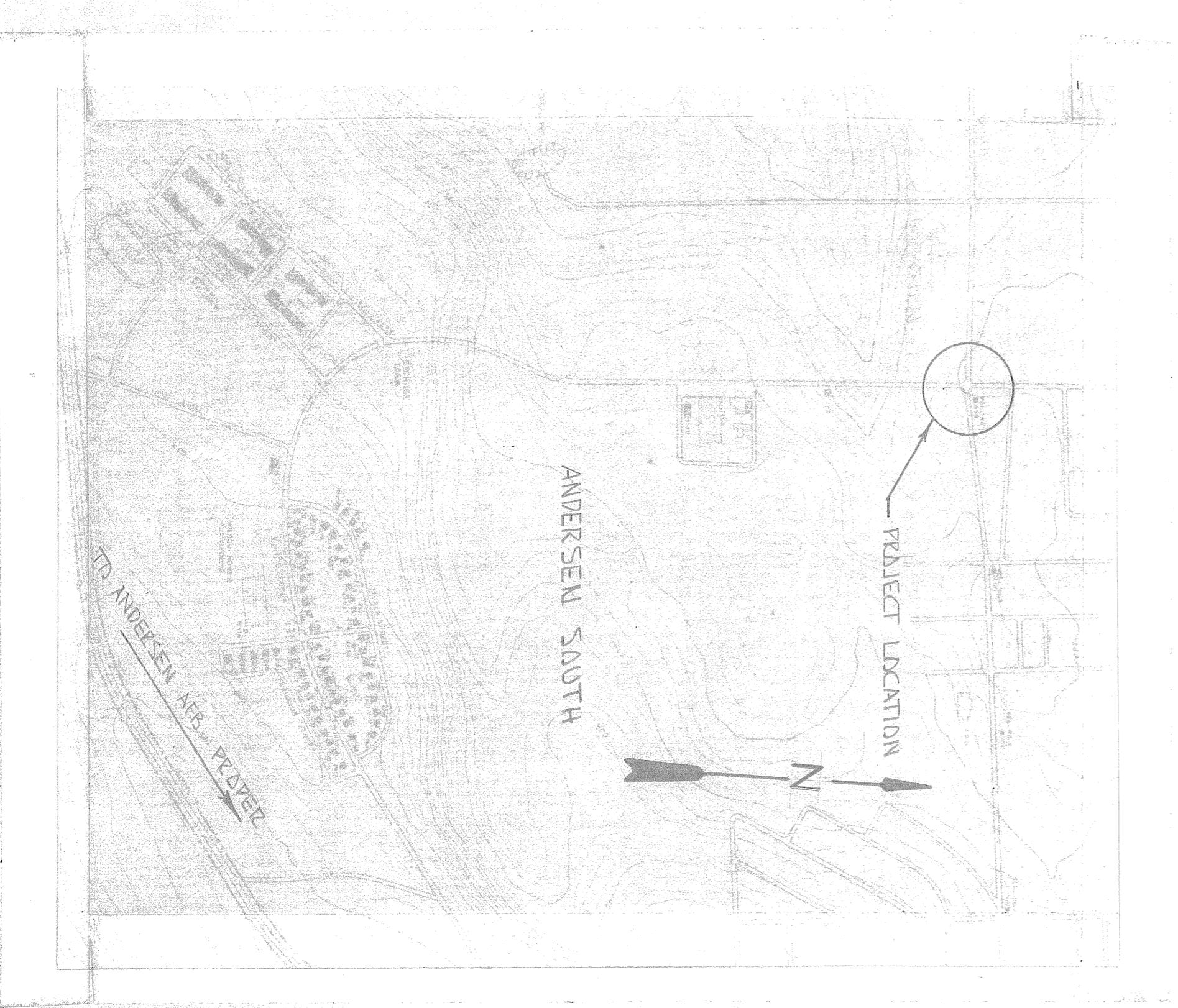


SECTION
SUBMERSIBLE PUMP ASSEMBLY
- FOR INFORMATION ONLY -

WELL SCHEDULE

NAME OF WELL	REQUIRED PUMP DATA				WELL ELEVATION DATA				STAG WATER PUMPING LEVEL OR EXISTING LEVEL OF EXISTING CAS
	CAPACITY (GPM)	TDH* (FT)	WATER HP*	TOP OF CONNECTED PIPE (ELEVATION)	EXISTING DEPTH OF WELL (ELEVATION)	EXISTING DEPTH OF CASING (ELEVATION)	TOP OF SHOWER (ELEVATION)	TOP OF SHOWER (ELEVATION)	
WATER WELL #9	300	650	75	531.25	531.10	-27.57	-10.15	+5.43	-1.62

* GPM - GALLONS PER MINUTE
* TDH - TOTAL DYNAMIC HEAD
* HP - HORSE POWER



VICINITY PLAN
SCALE: 1" = 500'

NOTES:

1. EXISTING PUMP, MOTOR, CASING, AND PIPE COLUMN HAVE BEEN DEMOLISHED.

COORDINATION	OFFICE	REV	DATE	DESCRIPTION	DRAWN	BY
				STRATEGIC AIR COMMAND CIVIL ENGINEERING		
				ANDERSEN AIR FORCE BASE REPLACE SUBMERSIBLE PUMP AND MOTOR AT WATER WELL NO. 9		
				ANDERSEN AFB, MKRD ANNEX, 6000		
APPROVED	DESIGNED	CHECKED	DATE	BY	DATE	BY
<i>James Davis</i>	<i>James Davis</i>	<i>James Davis</i>				
CHIEF ENGINEER	CHIEF ENGINEER	CHIEF ENGINEER				
SAFETY	SAFETY	SAFETY				
SCALE: 1" = 500'	SCALE: 1" = 500'	SCALE: 1" = 500'				
AS-MELLS	AS-MELLS	AS-MELLS				